

TROVE™

Access & Power Integration

Altronix Trove3/Axis Communications Kits

Models Include:

T3AXK77F16S

16 Door Kit with Fused Outputs

Fully assembled kit includes:

- Trove3 enclosure with TV3 Altronix/Axis Communications backplane
- Two (2) eFlow104NB - Power Supply/Chargers
- Two (2) ACMS8 - Dual Input Fused Access Power Controllers
- Two (2) VR6 - Voltage Regulators
- Two (2) PDS16 - Dual Input Fused Power Distribution Modules

T3AXK77F16S2

16 Door Kit with Fused Outputs

Fully assembled kit includes:

- Trove3 enclosure with TSS3 Altronix/Axis Communications backplane
- Two (2) eFlow104NB - Power Supply/Chargers
- Two (2) ACMS8 - Dual Input Fused Access Power Controllers
- Two (2) VR6 - Voltage Regulators
- Two (2) PDS16 - Dual Input Fused Power Distribution Modules

T3AXK77F16SQ

16 Door Kit with Fused Outputs

Fully assembled kit includes:

- Trove3 enclosure with TV3 Altronix/Axis Communications backplane
- Two (2) eFlow104NB - Power Supply/Chargers
- Two (2) LINQ8ACM - Networked Fused Access Power Controllers
- Two (2) VR6 - Voltage Regulators
- Two (2) PDS16 - Dual Input Fused Power Distribution Modules

T3AXK777F24S

24 Door Kit with Fused Outputs

Fully assembled kit includes:

- Trove3 enclosure with TSS3 Altronix/Axis Communications backplane
- Three (3) eFlow104NB - Power Supply/Chargers
- Three (3) ACMS8 - Dual Input Fused Access Power Controllers
- Three (3) VR6 - Voltage Regulators
- Two (2) PDS8 - Dual Input Fused Power Distribution Modules

T3AXK77F16SD

16 Door Kit with PTC Outputs

Fully assembled kit includes:

- Trove3 enclosure with TV3 Altronix/Axis Communications backplane
- Two (2) eFlow104NB - Power Supply/Chargers
- Two (2) ACMS8CB - Dual Input PTC Access Power Controllers
- Two (2) VR6 - Voltage Regulators
- Two (2) PDS16CB - Dual Input PTC Power Distribution Modules

T3AXK77F16S2D

16 Door Kit with PTC Outputs

Fully assembled kit includes:

- Trove3 enclosure with TSS3 Altronix/Axis Communications backplane
- Two (2) eFlow104NB - Power Supply/Chargers
- Two (2) ACMS8CB - Dual Input PTC Access Power Controllers
- Two (2) VR6 - Voltage Regulators
- Two (2) PDS16CB - Dual Input PTC Power Distribution Modules

T3AXK77F16SDQ

16 Door Kit with PTC Outputs

Fully assembled kit includes:

- Trove3 enclosure with TV3 Altronix/Axis Communications backplane
- Two (2) eFlow104NB - Power Supply/Chargers
- Two (2) LINQ8ACMCB - Networked PTC Access Power Controllers
- Two (2) VR6 - Voltage Regulators
- Two (2) PDS16CB - Dual Input PTC Power Distribution Modules

T3AXK777F24SD

24 Door Kit with PTC Outputs

Fully assembled kit includes:

- Trove3 enclosure with TSS3 Altronix/Axis Communications backplane
- Three (3) eFlow104NB - Power Supply/Chargers
- Three (3) ACMS8CB - Dual Input PTC Access Power Controllers
- Three (3) VR6 - Voltage Regulators
- Two (2) PDS8CB - Dual Input PTC Power Distribution Modules

Please refer to the included corresponding Sub-Assembly Installation Guides for further information.

Installation Guide

All registered trademarks are property of their respective owners.

Rev. T3AXK110425

Installing Company: _____ Service Rep. Name: _____

Address: _____ Phone #: _____



More than just power.™

Overview:

Altronix Trove Axis Communications kits are pre-assembled and consist of Trove enclosures/backplanes with factory installed Altronix power supply/chargers and sub-assemblies. All kits accommodate a variety of Axis Communications modules for up to sixteen doors in a single enclosure.

Configuration Chart:

| Altronix Model Number | 120VAC 60Hz Input Current (A) | Power Supply Board Input Fuse Rating | Power Supply Board Battery Fuse Rating | Nominal DC Output Voltage | | Maximum Supply Current for Main and Aux. Outputs on Power Supply board and ACMS8(CB) or LINQ8ACM(CB) Access Power Controller's outputs | Fail-Safe/Fail-Secure or Dry Form "C" Outputs | Current Per ACMS8(CB) or LINQ8ACM(CB) Output (A) | ACMS8(CB), LINQ8ACM(CB) PDS16(CB) Board Input Fuse (PTC) Rating | ACMS8(CB), LINQ8ACM(CB) PDS16(CB) Board Output Fuse (PTC) Rating | PDS8(CB) Board Input Fuse (PTC) Rating | PDS8(CB) Board Output Fuse (PTC) Rating |
|-----------------------|-------------------------------|--------------------------------------|--|---------------------------|--------------------|--|---|--|---|--|--|---|
| | | | | [DC] | [Aux] | | | | | | | |
| | | | | Output Range (VDC) | Output Range (VDC) | | | | | | | |
| T3AXK77F16S | 9.0 | 6.3A/250V | 15A/32V | 20.17-26.4 | 20.28-26.4 | 24VDC @ 9.2A | 16 | 2.5 | 15A/32V | 3A/32V | - | - |
| T3AXK77F16SD | | | | | | | | 2.0 | 9A | 2.5A | - | - |
| T3AXK77F16S2 | 9.0 | 6.3A/250V | 15A/32V | 20.17-26.4 | 20.28-26.4 | 24VDC @ 9.2A | 16 | 2.5 | 15A/32V | 3A/32V | - | - |
| T3AXK77F16S2D | | | | | | | | 2.0 | 9A | 2.5A | - | - |
| T3AXK77F16SQ | 9.0 | 6.3A/250V | 15A/32V | 20.17-26.4 | 20.28-26.4 | 24VDC @ 9.2A | 16 | 2.5 | 15A/32V | 3A/32V | - | - |
| T3AXK77F16SDQ | | | | | | | | 2.0 | 9A | 2.5A | - | - |
| T3AXK77F24S | 13.5 | 6.3A/250V | 15A/32V | 20.17-26.4 | 20.28-26.4 | 24VDC @ 9.2A | 24 | 2.5 | 15A/32V | 3A/32V | 10A/32V | 3A/32V |
| T3AXK77F24SD | | | | | | | | 2.0 | 9A | 2.5A | 9A | 2.5A |

Installation Instructions:

Wiring methods shall be in accordance with the National Electrical Code/NFPA 70/ANSI, and with all local codes and authorities having jurisdiction. Product is intended for indoor use only.

1. Remove backplane from enclosure. Do not discard hardware.
2. Mark and predrill holes in the wall to line up with the top three keyholes in the enclosure. Install three upper fasteners and screws in the wall with the screw heads protruding. Place the enclosure's upper keyholes over the three upper screws; level and secure. Mark the position of the lower three holes. Remove the enclosure. Drill the lower holes and install the three fasteners. Place the enclosure's upper keyholes over the two/three upper screws. Install the three lower screws and make sure to tighten all screws.
3. Mount included UL Listed tamper switches (Altronix Model TS112 or equivalent) in desired location, opposite hinge. Slide the tamper switch bracket onto the edge of the enclosure approximately 2" from the right side (Fig. 1, pg. 2). Connect tamper switch wiring to the Access Control Panel input or the appropriate UL Listed reporting device. To activate alarm signal open the door of the enclosure.
4. Connect unswitched AC power (115VAC 60Hz) to terminals marked [L, N]. Use 14 AWG or larger for all power connections. Secure green wire lead to earth ground. Green "AC" LED on power supply board will turn on. This light can be seen through the LED lens on the door of the enclosure.

Keep power-limited wiring separate from non power-limited wiring

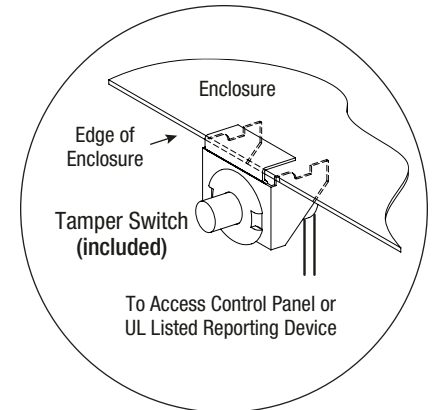
(115VAC 60Hz Input, Battery Wires). Minimum 0.25" spacing must be provided.

CAUTION: Do not touch exposed metal parts. Shut branch circuit power before installing or servicing equipment. There are no user serviceable parts inside.

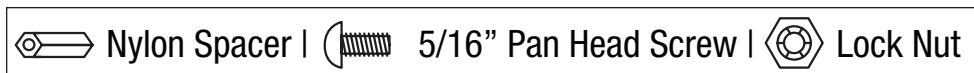
Refer installation and servicing to qualified service personnel.

5. Measure voltage before connecting devices. This helps avoiding potential damage.
6. Mount Axis Communications modules to backplane(s), refer to *pages 3-5*.
7. Refer to the *eFlow Power Supply/Charger Installation Guide* for eFlow104NB and corresponding *Sub-Assembly Installation Guides* for ACMS8(CB), LINQ8ACM(CB), PDS16(CB) and VR6 for further installation instructions.

Fig. 1



Hardware:



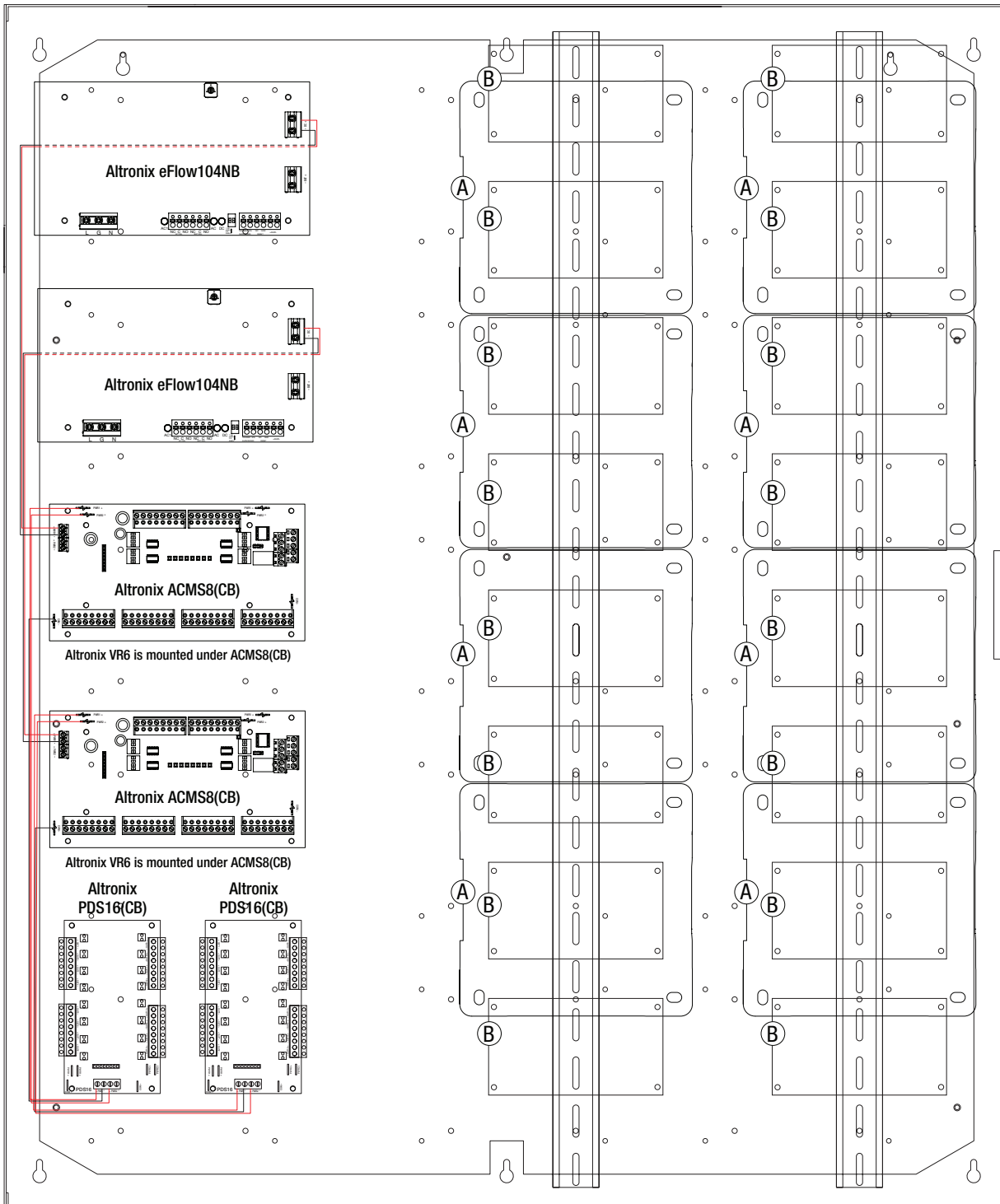
T3AXK77F16S(D): Installation Instructions for Axis Communications Access Controllers on TV3:

1. Fasten DIN Rail (provided) to pem spacers, utilizing 5/16" pan head screws (included) (Fig. 2, pg. 3).
2. Mount Axis modules to DIN Rail (refer to below chart for model number, Fig. 2, pg. 3).
3. Fasten TV3 backplane to Trove3 enclosure utilizing lock nuts (provided by Altronix).

Axis Communications Access Controller Position Chart for the Following Models:

| Altronix/Axis Communications | Pem Mounting |
|--|--------------|
| Axis 1601, Axis 1610 (mounted onto DIN Rail) | (A) |
| Axis 1210 (mounted onto DIN Rail) | (B) |

Fig. 2



T3AXK77F16S2(D): Installation Instructions for Axis A1810 Access Controllers on TSS3:

1. Fasten spacers (provided) into stud configuration for Axis A1810 (Fig. 3 pg. 4).
2. Mount boards to spacers utilizing 5/16" pan head screws (provided) (Fig. 3a, pg. 4).
3. Fasten TSS3 backplane to Trove3 enclosure utilizing lock nuts (provided by Altronix).

Fig. 3

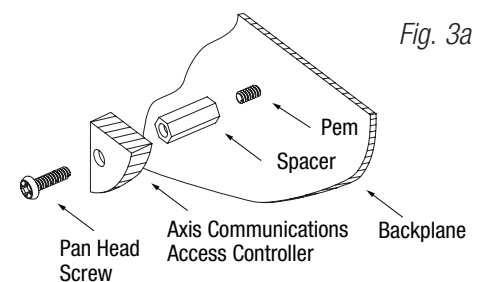
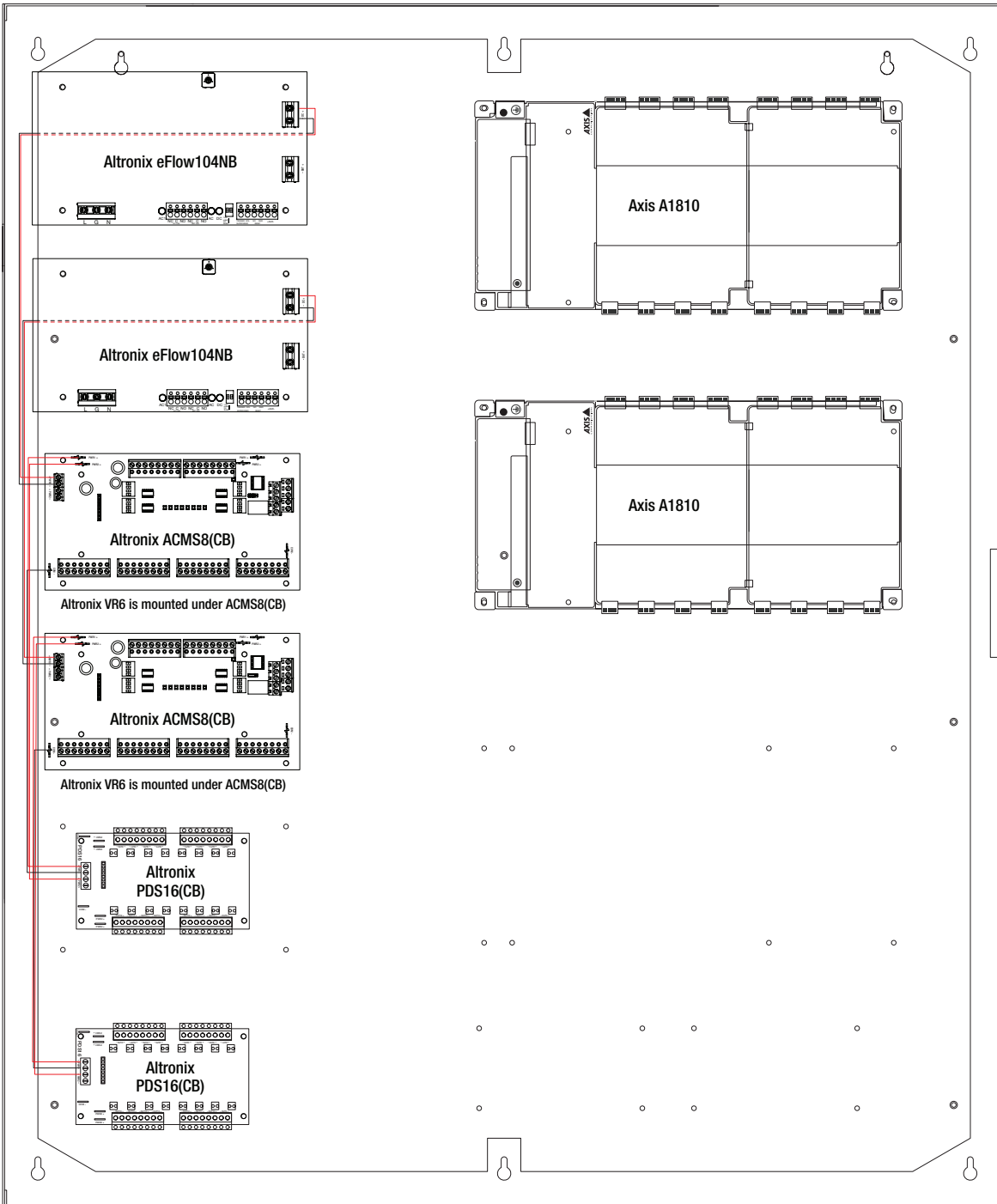


Fig. 3a

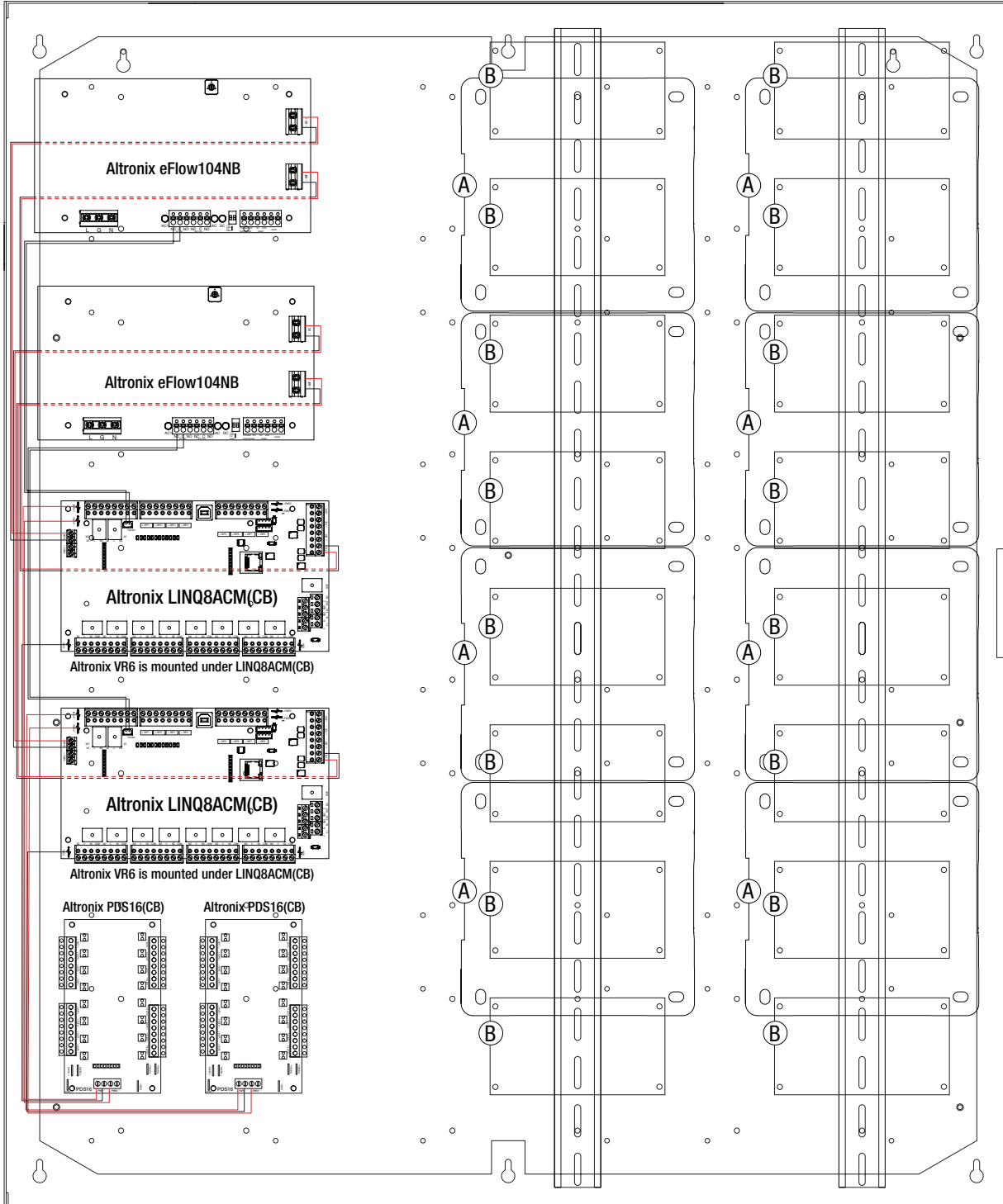
T3AXK77F16S(D)Q: Installation Instructions for Axis Communications Access Controllers on TV3:

1. Fasten DIN Rail (provided) to pem spacers, utilizing 5/16" pan head screws (included) (Fig. 4, pg. 5).
2. Mount Axis modules to DIN Rail (refer to below chart for model number, Fig. 4, pg. 5).
3. Fasten TV3 backplane to Trove3 enclosure utilizing lock nuts (provided by Altronix).

Axis Communications Access Controller Position Chart for the Following Models:

| Altronix/Axis Communications | Pem Mounting |
|--|--------------|
| Axis 1601, Axis 1610 (mounted onto DIN Rail) | (A) |
| Axis 1210 (mounted onto DIN Rail) | (B) |

Fig. 4



T3AXK777F24S(D): Installation Instructions for Axis A1810 Access Controllers on TSS3:

1. Fasten spacers (provided) into stud configuration for Axis A1810 (Fig. 5 pg. 6).
2. Mount boards to spacers utilizing 5/16" pan head screws (provided) (Fig. 5a, pg. 6).
3. Fasten TSS3 backplane to Trove3 enclosure utilizing lock nuts (provided by Altronix).

Fig. 5

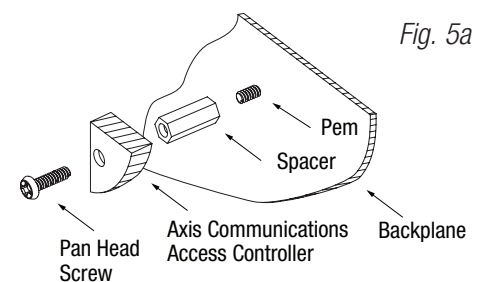
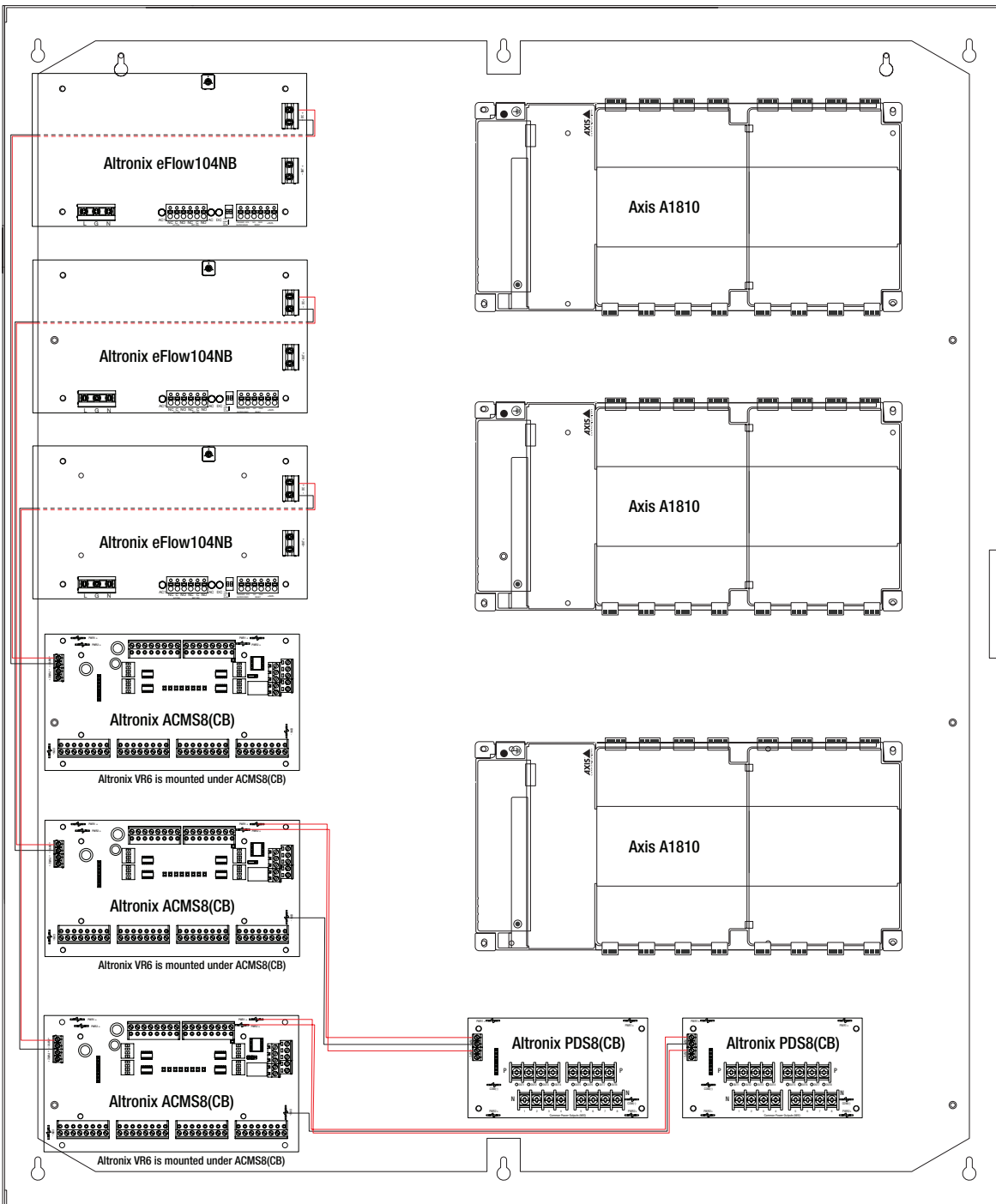
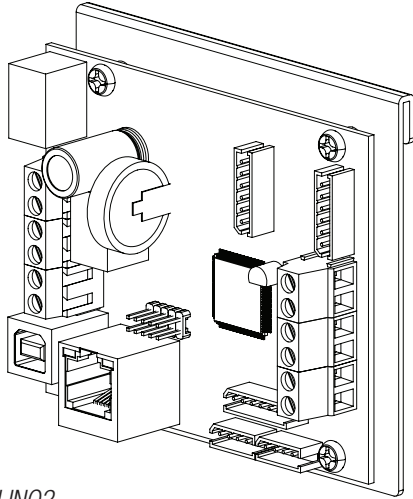


Fig. 5a



eFlow Power Supply/Chargers can be Controlled and Monitored while Reporting Power/Diagnostics from Anywhere over the Network...



LINQ™

LINQ2 - Network Communication Module

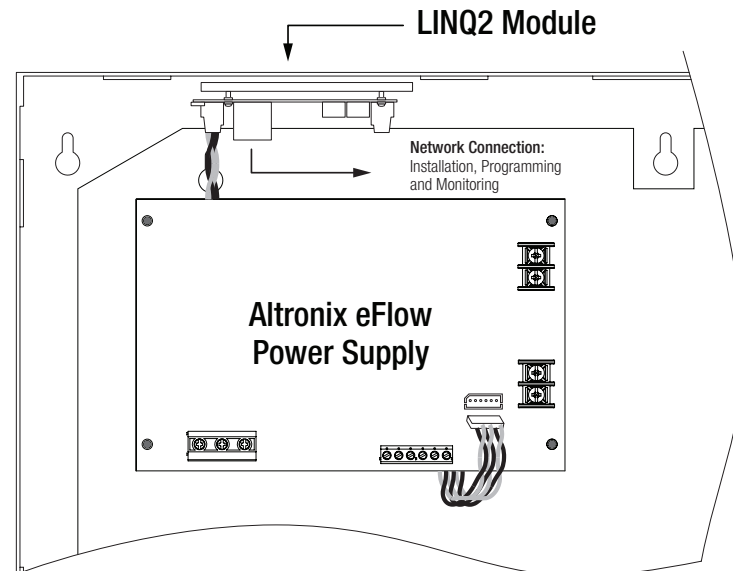
LINQ2 provides remote IP access to real-time data from eFlow power supply/chargers to help keep systems up and running at optimal levels. It facilitates fast and easy installation and set-up, minimizes system downtime, and eliminates unnecessary service calls, which helps reduce Total Cost of Ownership (TCO) - as well as creating a new source of Recurring Monthly Revenue (RMR).

LINQ2

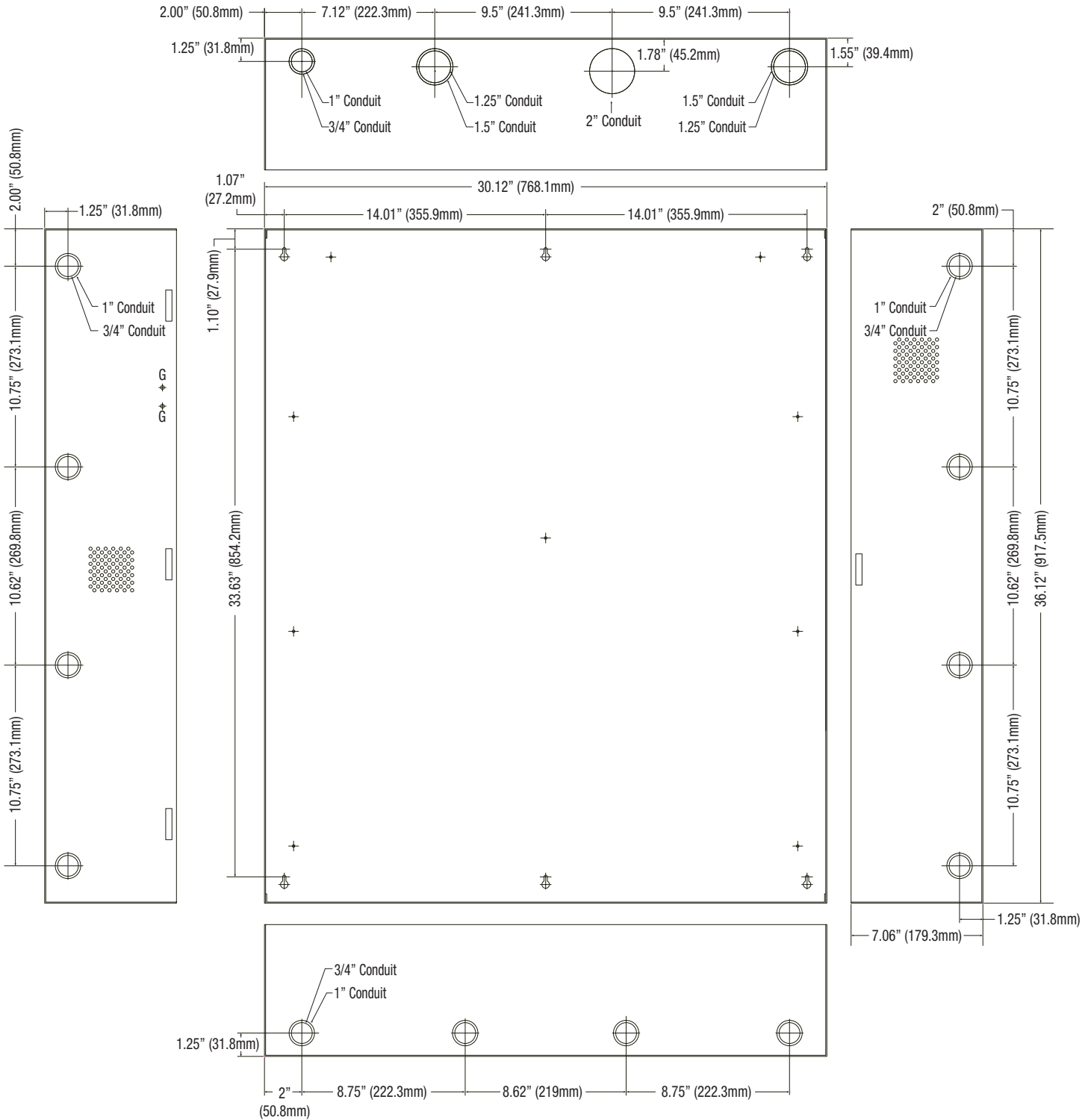
Features:

- UL Listed in the U.S. and Canada.
- Local or remote control of up to (2) two Altronix eFlow power output(s) via LAN and/or WAN.
- Monitor real time diagnostics: DC output voltage, output current, AC & battery status/service, input trigger state change, output state change and unit temperature.
- Access control and user management: Restrict read/write, Restrict users to specific resources
- Two (2) integral network controlled Form "C" Relays.
- Three (3) programmable input triggers: Control relays and power supplies via external hardware sources.
- Email and Windows Dashboard notifications
- Event log tracks history.
- Secure Socket Layer (SSL).
- Programmable via USB or web browser - includes operating software and 6 ft. USB cable.

LINQ2 Mounts Inside any Trove Enclosure



Enclosure Dimensions (H x W x D approximate):
 36.12" x 30.125" x 7.06" (917.5mm x 768.1mm x 179.3mm)



Altronix is not responsible for any typographical errors. Product specifications are subject to change without notice.

140 58th Street, Brooklyn, New York 11220 USA | phone: 718-567-8181 | fax: 718-567-9056
 website: www.altronix.com | e-mail: info@altronix.com | Lifetime Warranty
 IITrove3AX Kits

K04Y

